

AL-SK15-100

Skillet



Aerolux Limited Aircraft Galley Equipment Manufacturers
Chorley Road, Blackpool, Lancashire FY3 7XQ, England
Tel +44 (0)1253 396670 Fax +44 (0)1253 300074
Email info@aerolux.co.uk • sales@aerolux.co.uk
www.aerolux.co.uk



AL-SK15-100

- **Aero-Skillet** is a modular self-contained, worktop mounted hotplate unit designed for cooking eggs.
- A Teflon coated frying pan is provided for the preparation of fried eggs.
- The unit is supplied with fixed temperature settings and control timer.
- A pan retainer attachment is provided which incorporates a locking device and a covering lid.
- The unit body, cover and pan retainer are manufactured from food grade stainless steel.
- The hot plate is manufactured from high temperature 6mm thick ceramic glass, which is toughened for strength and is easy to clean, permanently bonded in place and fully sealed against moisture ingress.

Characteristics

Power Supply 115VAC 400 Hz Single Phase

Nominal AC Current 8 Amps

Recommended Circuit Breaker 10 Amps

Performance

Pan Operating Temperature 140-200°C (284-392°F)

Warm Up Time 6 minutes

Controls

POWER ON/OFF switch illuminates amber when selected ON.

OVERHEAT/FAULT indicator illuminates red when activated.

HEATING indicator illuminates amber.

TIMER switch (0-30 minutes).

Over temperature is controlled by a re-settable thermostat, accessible to maintenance personnel only.

Operational Range

Ambient Temperature 15-35°C (59-95°F)

Altitude 0 to 8000ft

Height	175mm (6.9")
Width	277.8mm (10.9")
Depth	325mm (12.8")
Empty weight	8kg (17.6lbs)

Interface details

Electrical Connector Hubbel 7485 or 6026-16-08PB

Mounting Attachment 2 x mounting lug on C/L of outer case (base)

Documentation:

ATA / iSpec 2200 CMM

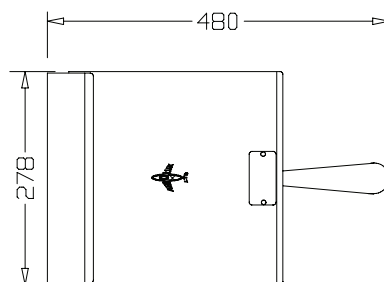
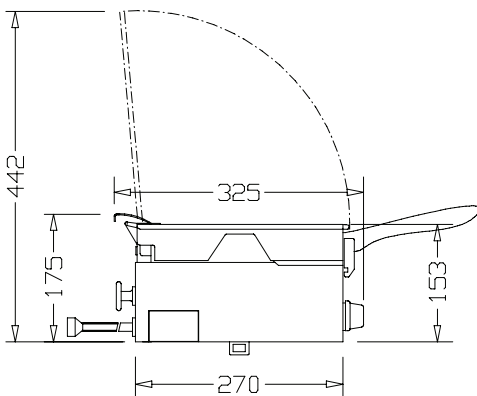
Release:

EASA Form 1 or Certificate of Conformity (COC)* model dependant

*EASA Form 1 can be provided by a DOA to POA Arrangement depending on commercial contract. Cost applicable.



Outline drawing



Electrical interface

	PIN OUT
115V AC	Y
Neutral	X
Earth	W

Caution: Do not use the information contained in this document to perform installation design as this data is subject to change.